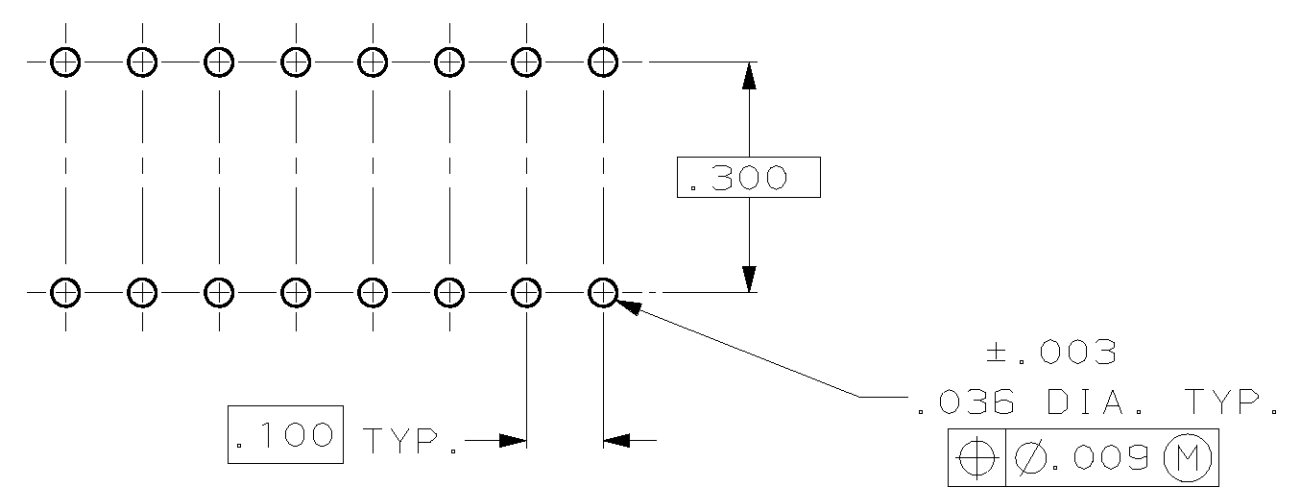
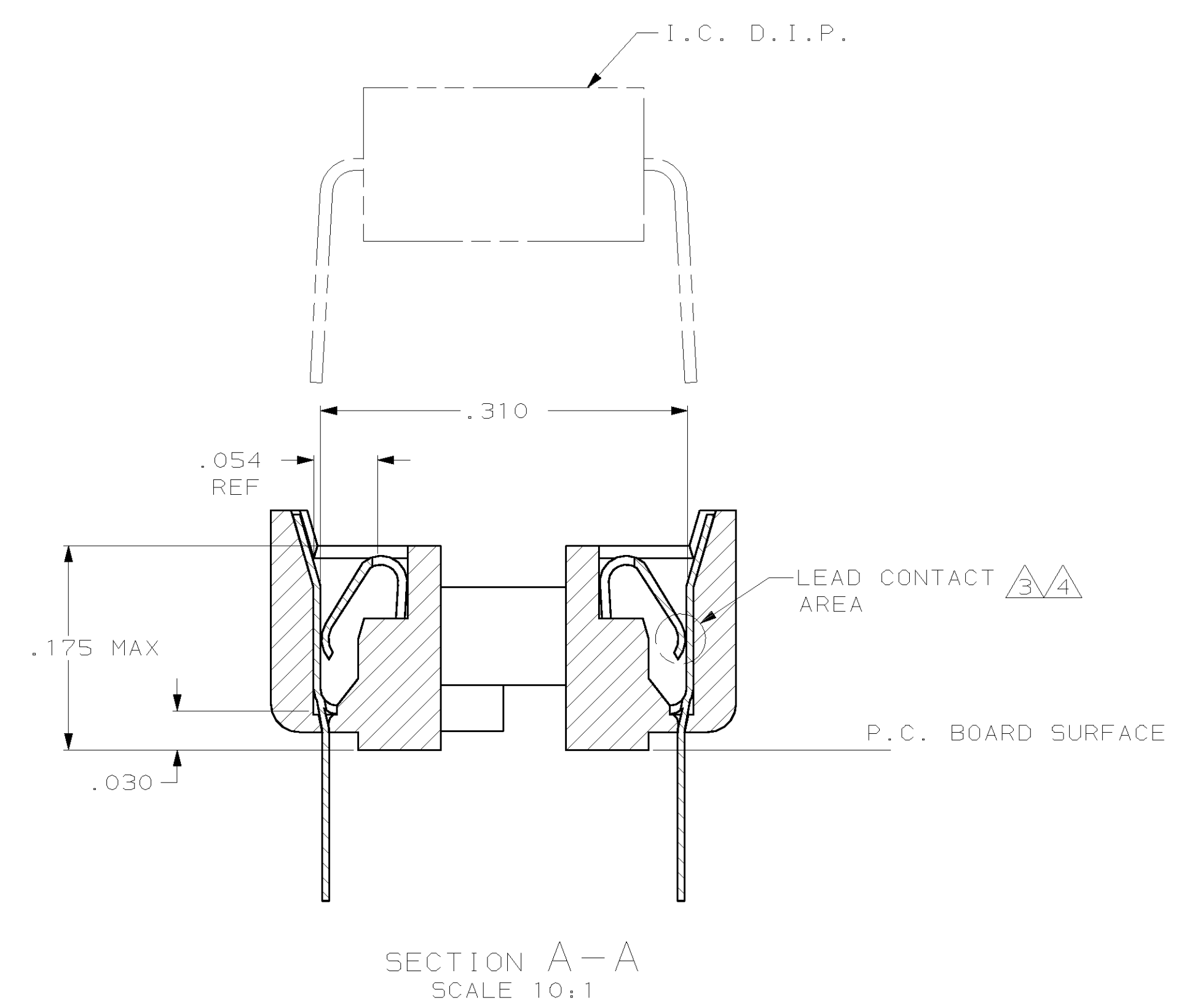
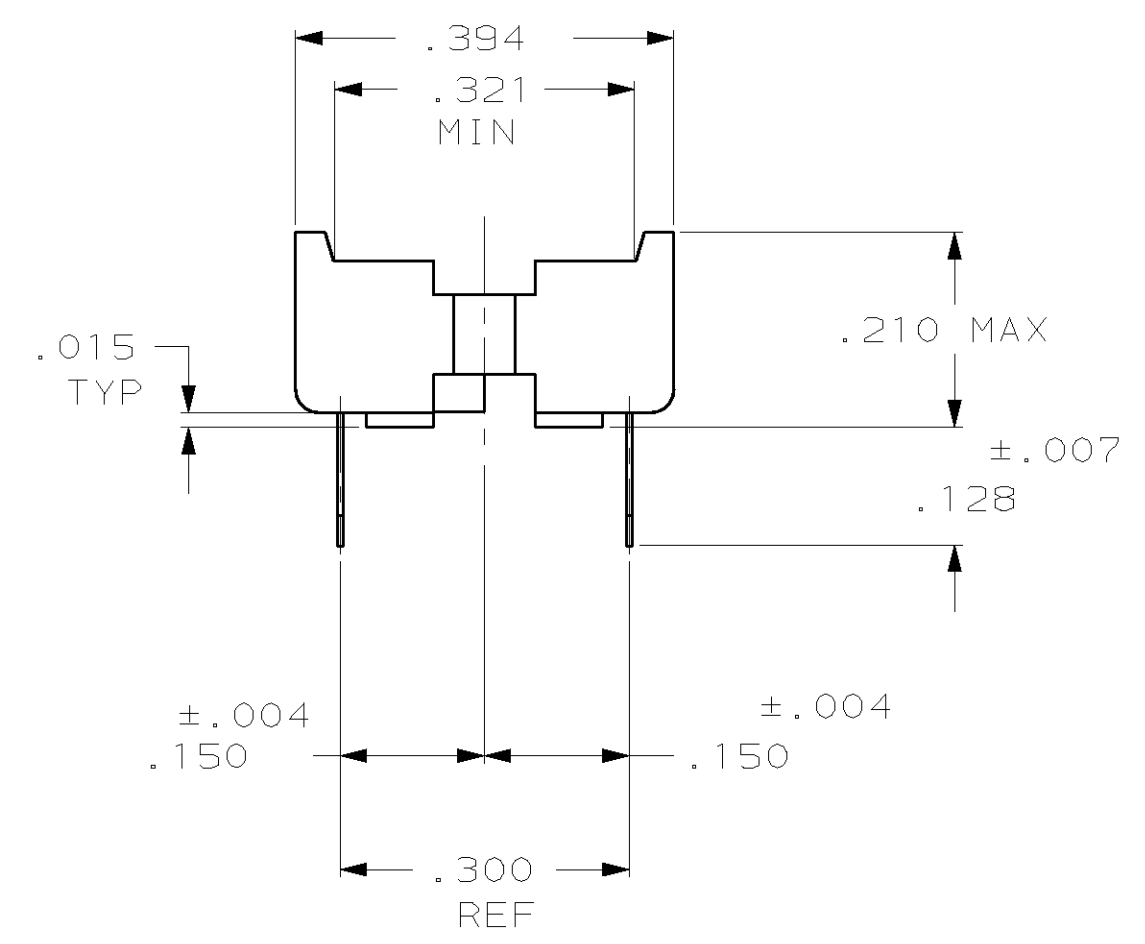
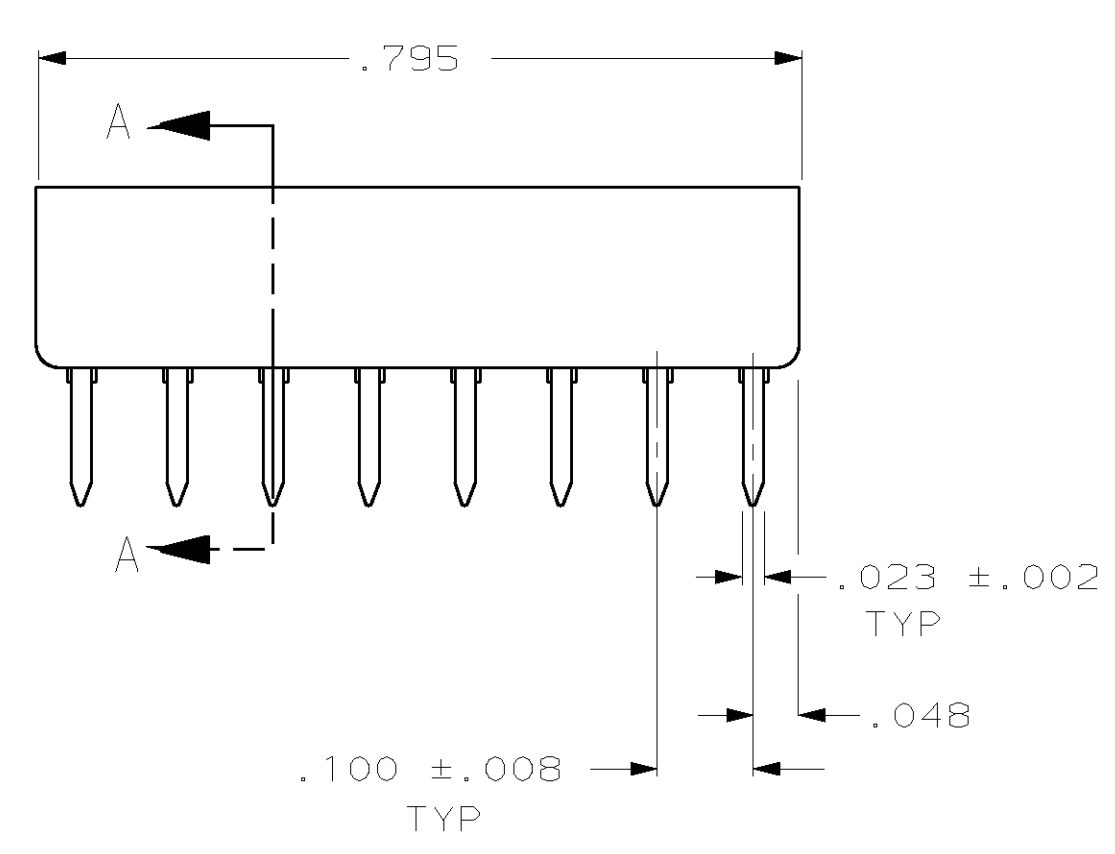
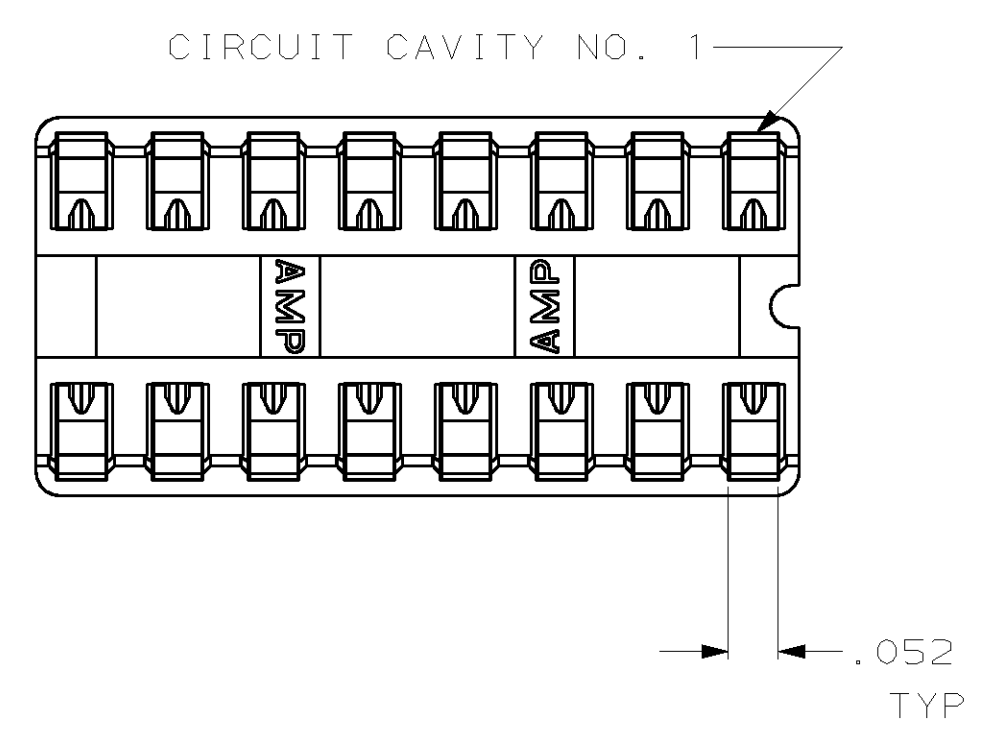


LOC	DIST	REV	DATE	BY	CHK	APPV
AD	0	AE	REV PER 063C-0104-01	25SEP01	RB	JO

- RECEPTACLE ACCEPTS A .008-.014 THICK I.C. LEAD.
- TUBE LOADED FOR AUTOMATIC INSERTION.
- TWO .000030 MIN THK. GOLD STRIPES IN CONTACT AREA WITH TIN-LEAD (93/7) ON CONTACT LEGS, BALANCE OF CONTACT NICKEL PLATED.
- TWO .000015 MIN THK. GOLD STRIPES IN CONTACT AREA WITH TIN-LEAD (93/7) ON CONTACT LEGS, BALANCE OF CONTACT NICKEL PLATED.
- SEE RESTRICTED CUSTOMER DRAWING 3-641600-1.



RECOMMENDED MOUNTING HOLE PATTERN  
SCALE 4:1

OBSOLETE	TINNED	PHOS.BRZ.	GLASS-FILLED THERMOPLASTIC, 94V-0, BLACK	2-641600-5
		PHOS.BRZ.	GLASS-FILLED THERMOPLASTIC, 94V-0, BLACK	2-641600-4
SUPSD BY 390261-4	TINNED	PHOS.BRZ.	GLASS-FILLED THERMOPLASTIC, 94V-0, BLACK	2-641600-3
		BE.CU.	GLASS-FILLED THERMOPLASTIC, 94V-0, BLACK	2-641600-2
SUPSD BY 390261-4	TINNED	BE.CU.	GLASS-FILLED THERMOPLASTIC, 94V-0, BLACK	2-641600-1
	CONTACT FINISH	CONTACT MAT'L	HOUSING MATERIAL	PART NO.

THIS DRAWING IS A CONTROLLED DOCUMENT.

DIMENSIONS INCHES	TOLERANCES UNLESS OTHERWISE SPECIFIED.	DWN M. CYRUS 8-17-87	AMP Incorporated
0 PLC ±	1 PLC ±	CHK R. MILLER 8-31-87	Harrisburg, PA 17105-3608
2 PLC ±	3 PLC ±.005	APPV J. LAMBERT 9-4-87	
4 PLC ±	ANGLES 40° 30'	NAME	SOCKET ASSY, DIP, LADDER, 16 POS, DIPLOMATE™ DL
MATERIAL SEE TABLE	FINISH SEE TABLE	PRODUCT SPEC	108-1066
		APPLICATION SPEC	114-1049
		WEIGHT	A1 00779
		CUSTOMER DRAWING	SCALE 5:1 SHEET 1 OF 1 REV AE